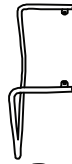


Part # CHR-CASPER XX+XX

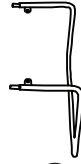
19-0103

**PARTS**

A



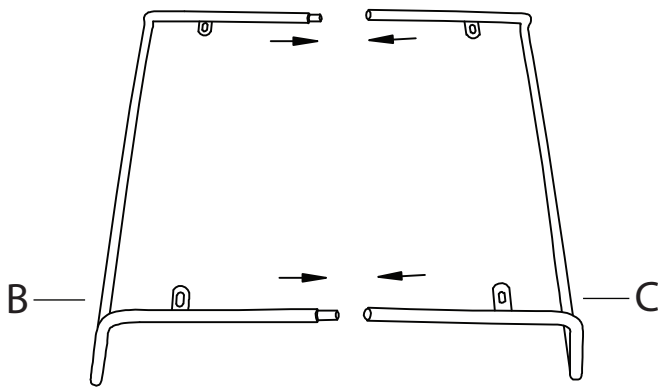
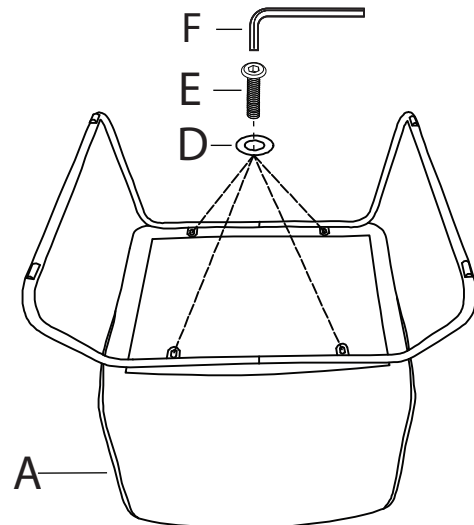
B



C

x4  
D

(M6x25mm)

x4  
E(M6)  
F**1****2****3**

Do not over tighten.  
Do not use power tools to assemble.